

## **SUPPLEMENTAL INSTRUCTIONS FOR USE Series 4130XXX Enviro-Shield™ Self Retracting Lifeline with Descender**

Complies with the current ANSI Z359.14, ANSI Z359.4 and all applicable OSHA regulations and requirements.

Reliance Industries P.O. Box 2046 Deer Park, TX 77536  
Phone: 281-930-8000 Toll Free: 888-362-2826 Fax: 281-930-8666

### **Supplemental User Instruction Manual - Self Retracting Lifeline with Descender**

*This manual is intended to meet the Manufacturer's Instructions as required by the current ANSI Z359.14 & Z359.4, and should be used as part of an employee training program as required by OSHA. **This supplemental instruction is to be used in conjunction with SRL user instruction 4100000-100, if not included with this supplement, contact Reliance Industries for a copy.***

**WARNING:** *This product is one part of a personal fall arrest, restraint, work positioning, personnel riding, climbing, or rescue system. Without the other necessary components in such sub-systems the self retracting lifeline itself serves no useful purpose. The user must follow the manufacturer's instructions for each component of the system. These instructions must be provided to the user before using this product and retained for ready reference by the user. The user must read, understand (or have explained), and heed all instructions, labels, markings and warnings supplied with this product and with those products intended for use in association with it before using this equipment. Manufacturer's instructions must be followed for proper use and maintenance of this equipment. National standards and state, provincial and federal laws require the user to be trained before using this product. This manual can be used as part of such a user safety-training program that is appropriate for the user's occupation.*

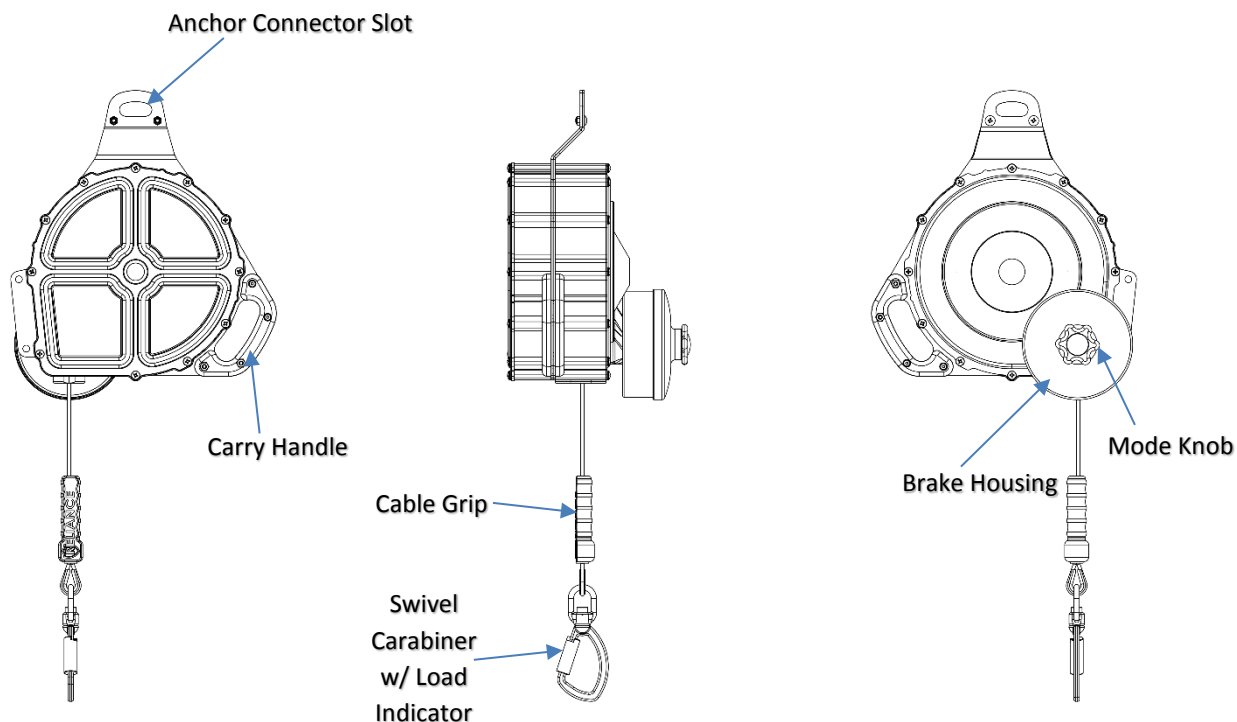
**IMPORTANT:** *Alterations or misuse of this product or failure to follow instructions may result in serious injury or death. If you have questions on the use, care, or suitability of this equipment for your application, contact RELIANCE Fall Protection for information.*

## **PRODUCT DESCRIPTION**

The Enviro-Shield™ Self Retracting Lifeline (SRL) with Descender is designed to be a component in a personal fall arrest systems (PFAS). It may be used in most situations where a combination of worker mobility and fall protection is required (i.e. inspection work, general construction, maintenance work, oil production, confined space work, etc.). The Enviro-Shield™ SRL with Descender is designed for use by a single person weighing from 130-310 lbs [59-141kg] (body weight plus tools). Enviro-Shield™ Self Retracting Lifeline with Descender features a cam-action pawl system ensuring positive lock-up even in the most demanding environments. Available standard cable lengths allow the Enviro-Shield™ to be mounted overhead in areas where there are no other convenient anchor points for personal fall arrest means. The Swivel Locking Carabiner permits connection to the harness dorsal D-ring, while the load indicating swivel provides a high visibility load indicator showing when the Enviro-Shield™ has been exposed to a fall arrest load and needs to be serviced.

# Identifying Components of Enviro-Shield™ Self Retracting Lifeline with Rescue

Figure 1



**4130050-1, 4130085-1, 4130130-1**

## PRODUCT SPECIFICATIONS

Part Number	Working Length	Line Type	Weight	Capacity	Hook Type	Housing Type	Housing Dimensions
4130050-1	50' (15.2m)	3/16" (4.5mm) Stainless	57.2 lbs (25.9kg)	310 lbs (140kg)	Swivel Carabiner Stainless Steel	Stainless, Anodized Aluminum	12.5" L X 12.5" W X 10" H (32cm X 32cm X 25cm)
4130085-1	85' (21.6m)	3/16" (4.5mm) Stainless	59.4 lbs (26.9kg)	310 lbs (140kg)	Swivel Carabiner Stainless Steel	Stainless, Anodized Aluminum	12.5" L X 12.5" W X 10" H (32cm X 32cm X 25cm)
4130130-1	130' (33.0m)	3/16" (4.5mm) Stainless	81 lbs (36.7kg)	310 lbs (140kg)	Swivel Carabiner Stainless Steel	Stainless, Anodized Aluminum	14.5" L X 14" W X 10.5" H (37cm X 36cm X 27cm)

The following specifications apply to all Enviro-Shield™ Self Retracting Lifelines with Descenders and meet the following standards:

ANSI Z359.14-2012, Class B:

**Maximum Arrest Force (MAF):** ≤ 1,800 lbs (8kN) • **Average Arrest Force (AAF):** ≤ 900 lbs (4kN)

**Arrest Distance (AD):** ≤ 42" (1.07m)

**130 lbs (59kg)-310 lbs (141kg) Capacity:** 1 worker, maximum combined tool & body weight.

ANSI Z359.4-2013:

**Minimum Descent Rate:** 1.6 ft/s (0.5m/s)

**Maximum Descent Rate:** 3.4 ft/s (1.1m/s)

**130 lbs (59kg)-310 lbs (141kg) Capacity:** 1 worker, maximum combined tool & body weight.

## USAGE

### USING THE SRL W/DESCENDER IN STANDARD FALL ARREST MODE

Verify that the SRL W/Descender is set to the SRL mode as indicated by the actuation knob label. Connect the SRL to a suitable overhead anchorage. Perform per-use checks and inspections in accordance with the SRL manual. Attach swiveling carabiner to the users full body harness back D-ring and use the SRL W/Descender in accordance to the SRL manual.

### USING THE SRL W/DESCENDER IN DESCENDER MODE

The SRL W/Descender may be used to automatically descend the user to a lower level when a fall occurs. SRL W/Descender has the SRL locking pawl and shock absorbing system working as a back-up to the Descender while in the Descender mode. In the event of the descender over speeding or malfunctioning, the SRL will automatically lock and arrest the fall of the user. The capacity of the SRL W/Descender is one worker with combined tool & body weight 130 lbs (59kg)-310 lbs (140kg).

- **SETTING THE SRL W/DESCENDER TO DESCENDER MODE**

1. Lift and rotate activation knob 90 degrees until arrow points from "SRL" to "DESCENDER" mode, the knob will drop into place. *See figure 2.*
2. Extract the line to verify DESCENDER brake resistance. Allow the line to retract into the unit. Unit is ready for 'Self Rescue' DESCENDER mode.

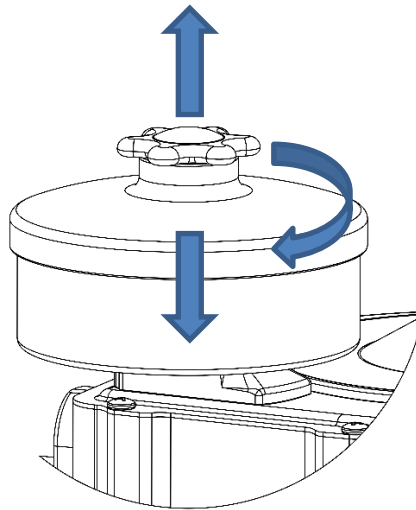


Figure 2

## ⚠ WARNING ⚠

- Always maintain tension on the line, DO NOT impart free fall while in the Descender Mode of this unit.
- Ensure the device is set to DESCENDER mode if user intent is for self-rescue prior to use, the unit CANNOT be changed from SRL mode to DESCENDER mode if the SRL has arrested a fall event.
- Remove the unit from service and return to the manufacturer or authorized service center for factory service if the unit does not freely retract in DECENDER mode.
- Ensure landing area below working surface is clear of hazards. DO NOT use in DESCENDER mode if you cannot verify safe landing area.
- Unit is designed for emergency fall arrest and descent only, and may only be used for a single, vertical descent. If unit has been used for a descent, remove from service immediately.
- Failure to read and heed all warnings can result in serious injury or death.

## ⚠ CAUTION ⚠

- Unit will offer resistance when paying out in DESCENDER mode. Maintain balance and anticipate line tension while working with Device in DESCENDER mode.

### RESETTING THE SRL FROM DESCENDER MODE TO SRL MODE

1. To activate SRL mode, rotate activation knob until arrow points from 'DESCENDER' to 'SRL' mode. The knob has a locking position and will resist slight twisting pressure when properly locked. The yellow label will be visible around the base of the knob. *See figure 3.*

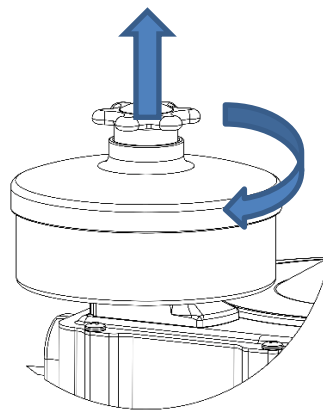


Figure 3

- Confirm the SRL W/Descender is in SRL mode by paying out line and observing that it automatically retracts back into the unit.
- After paying out the line, perform a lock test on the unit by pulling down sharply on the cable to ensure the unit locks.

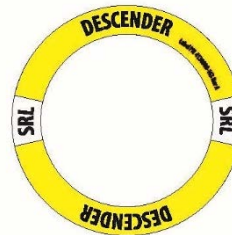
# PRODUCT LABELS



## Descender Specifications



Mode Arrow



Mode

All Models

Reliance Industries P.O. Box 2046 Deer Park, TX 77536  
Phone: 281-930-8000 Toll Free: 888-362-2826 Fax: 281-930-8666